



US006523531B1

(12) **United States Patent**
Feldkamp et al.

(10) **Patent No.:** US 6,523,531 B1
(45) **Date of Patent:** Feb. 25, 2003

(54) **FEED FORWARD METHOD FOR CANISTER PURGE COMPENSATION WITHIN ENGINE AIR/FUEL RATIO CONTROL SYSTEMS HAVING FUEL VAPOR RECOVERY**

(75) Inventors: **Lee Albert Feldkamp**, Plymouth, MI (US); **Fumin Yuan**, Canton, MI (US); **Gerald Jesion**, Woodhaven, MI (US); **Leighton Ira Davis, Jr.**, Ann Arbor, MI (US)

(73) Assignee: **Ford Global Technologies, Inc.**, Dearborn, MI (US)

(*) Notice: Subject to any disclaimer, the term of this patent is extended or adjusted under 35 U.S.C. 154(b) by 0 days.

(21) Appl. No.: **09/997,797**

(22) Filed: **Dec. 3, 2001**

(51) **Int. Cl.**⁷ **F02D 41/14**

(52) **U.S. Cl.** **123/698; 123/520**

(58) **Field of Search** 123/698, 704, 123/519, 520; 761/103

(56) **References Cited**

U.S. PATENT DOCUMENTS

5,186,153	A	2/1993	Steinbrenner et al.	
5,613,481	A	* 3/1997	Kitagawa et al.	123/698
5,657,737	A	* 8/1997	Ishida et al.	123/698
5,735,255	A	4/1998	Farmer et al.	
5,746,187	A	* 5/1998	Ninomiya et al.	123/520
6,079,397	A	* 6/2000	Matsumoto et al.	123/698
6,227,177	B1	5/2001	Yamafuji et al.	

* cited by examiner

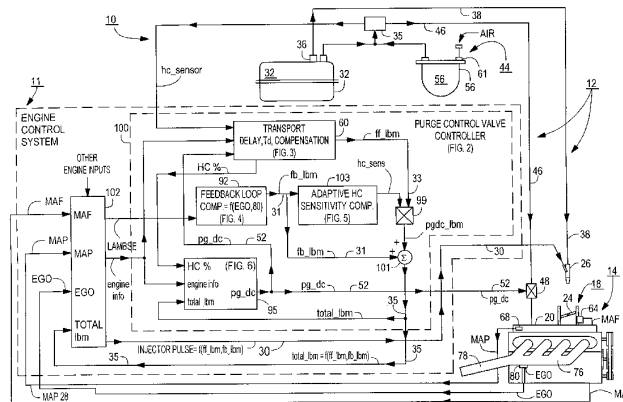
Primary Examiner—Erick Solis

(74) Attorney, Agent, or Firm—Julia Voutyras; Allan J. Lippa

(57) **ABSTRACT**

A method for air/fuel operation of an engine. The engine is supplied fuel from both a fuel purging system to purge fuel in a fuel supply and feed such purged fuel to an intake manifold of the engine and a fuel injection system to inject fuel from such fuel supply into a cylinder of such engine. The method includes producing a first air/fuel ratio control signal in accordance with measured exhaust gas oxygen emission from the engine; producing a second air/fuel ratio control signal in accordance with fuel transport delay through the fuel purging system; combining the first and second air/fuel ratio control signals into a composite control signal; and feeding such composite control signal to the fuel injection system. Producing the first air/fuel ratio control signal comprises determining fuel flow rate through the purge system. The purge system includes a valve, such valve passing the fuel in the purging system to the intake manifold at a rate relate to a duty cycle of a control signal fed to such valve and wherein the flow rate is determined in response to the duty cycle the control signal fed to the valve. The purge system includes a hydrocarbon sensor responsive to fuel in the purging system and wherein the first air/fuel ratio control signal is produced in accordance with an output of such sensor. The method includes determining a species of hydrocarbon in the fuel being purged and adjusting the first air/fuel ratio control signal in accordance with the determined species. The species determination comprises determining from the exhaust gas oxygen a deviation of the engine emissions from stoichiometry. The method includes providing a model of the engine. The model represents a relationship between: (1) a signal model LAMBSE, representative of estimated air/fuel ratio of the engine relative to a stoichiometric air/fuel ratio for the engine; and, (2) fuel injected into the cylinder of the engine. Exhaust gas oxygen emission from the engine is measured during operation of such engine. Actual LAMBSE produced by such engine during operation of such engine is produced as a function of such measured oxygen. The actual LAMBSE is compared with the model LAMBSE provided by the model in response to fuel injected into the engine to produce a model error signal. The fuel injected into the engine is adjusted in accordance with the error signal.

14 Claims, 11 Drawing Sheets



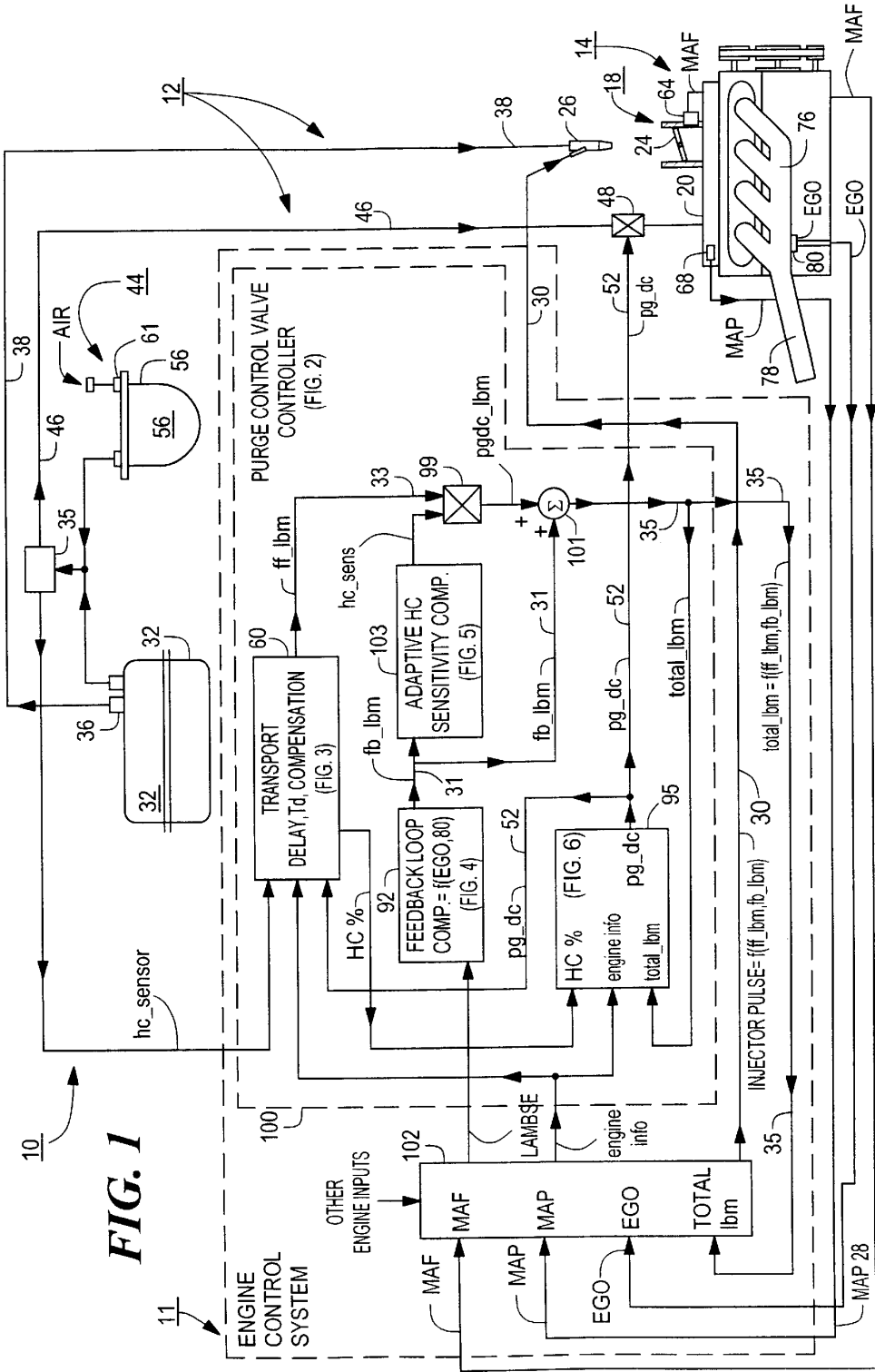


FIG. 1

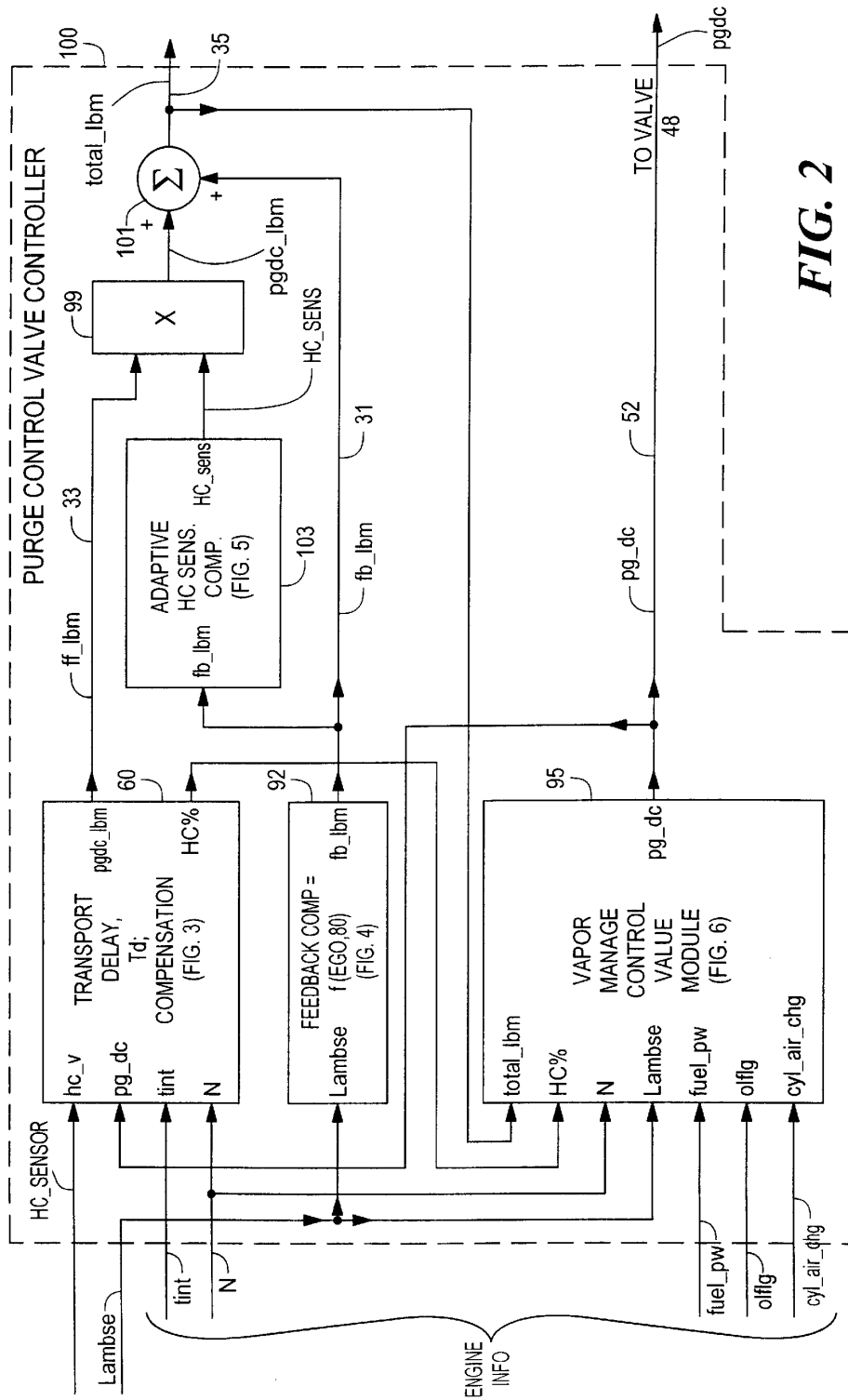


FIG. 2

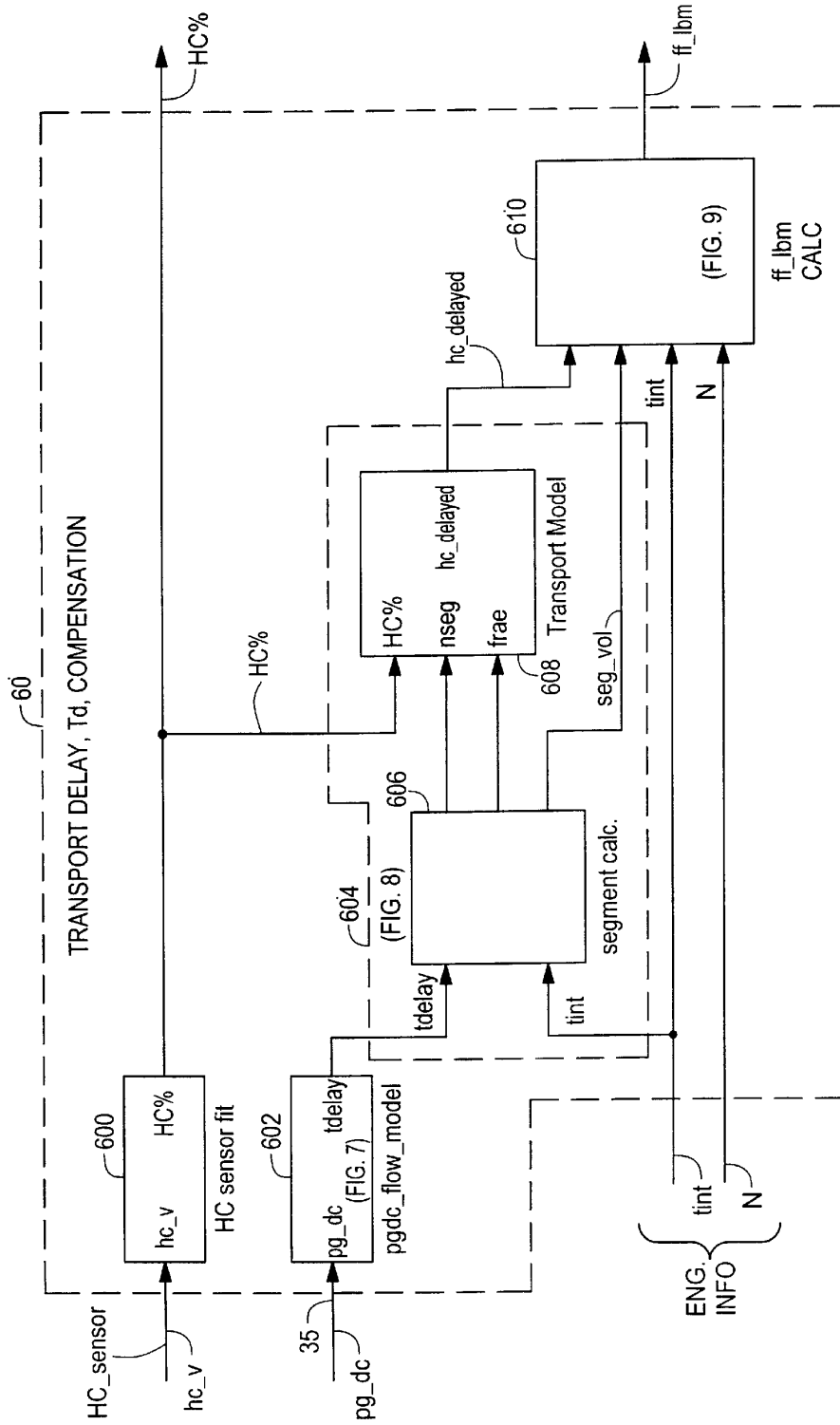


FIG. 3

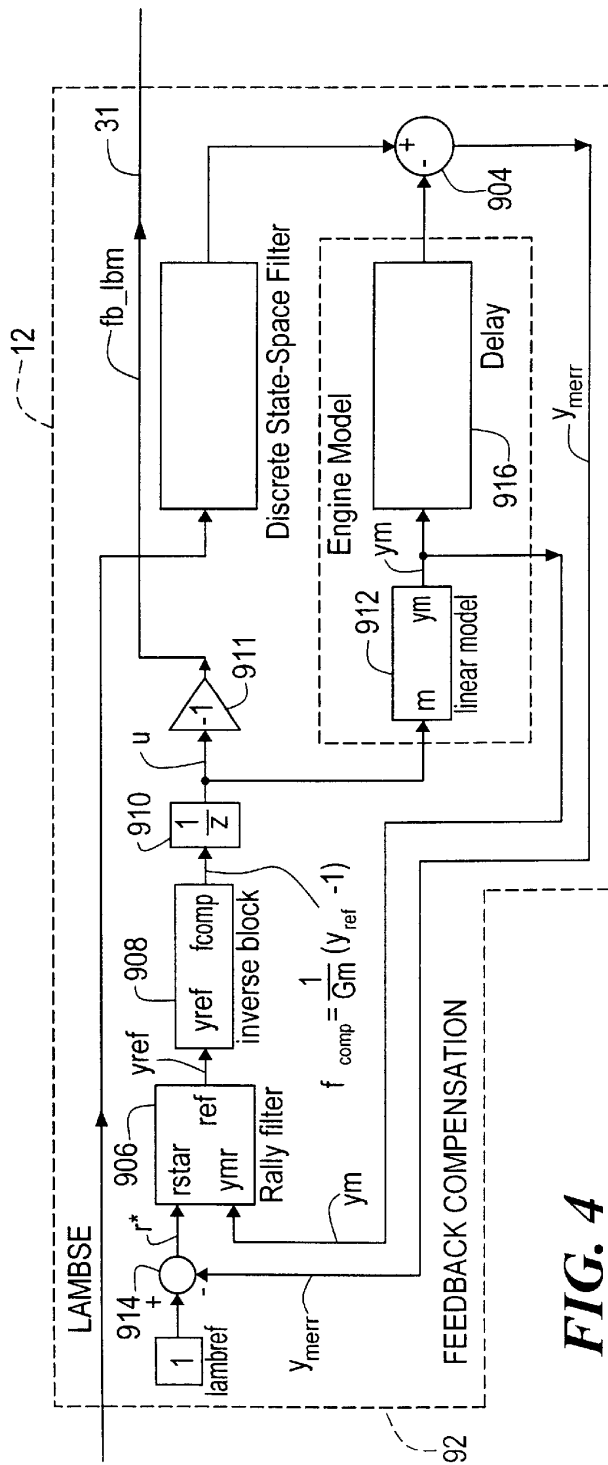


FIG. 4

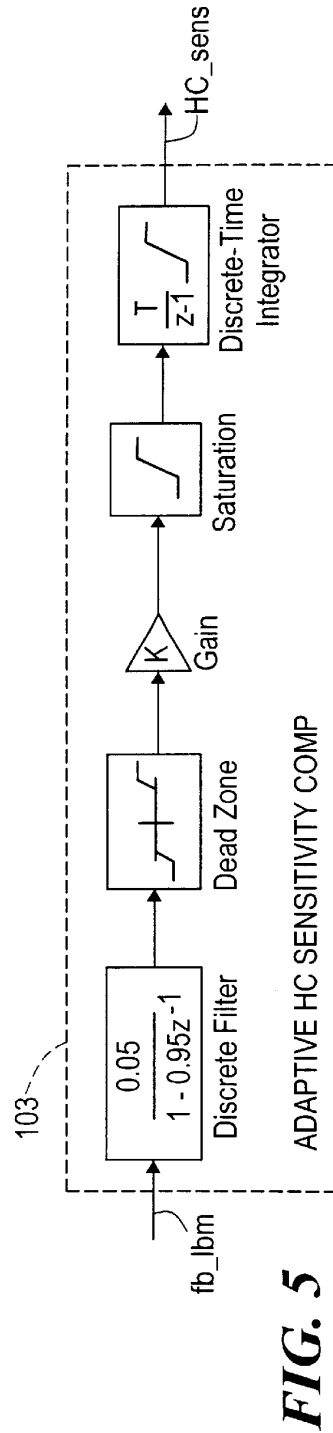


FIG. 5

FIG. 6

FIG. 6A

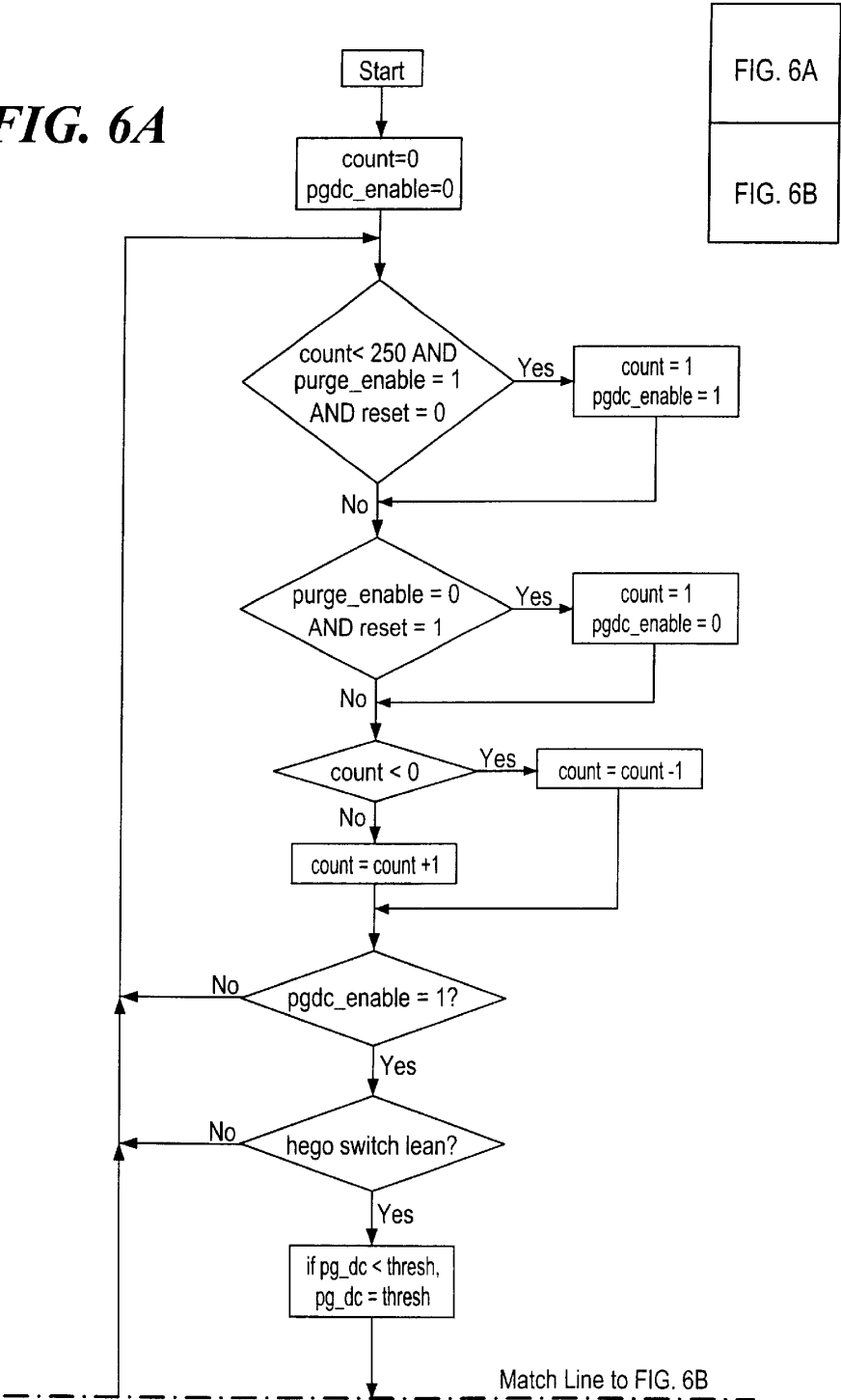


FIG. 6A

FIG. 6B

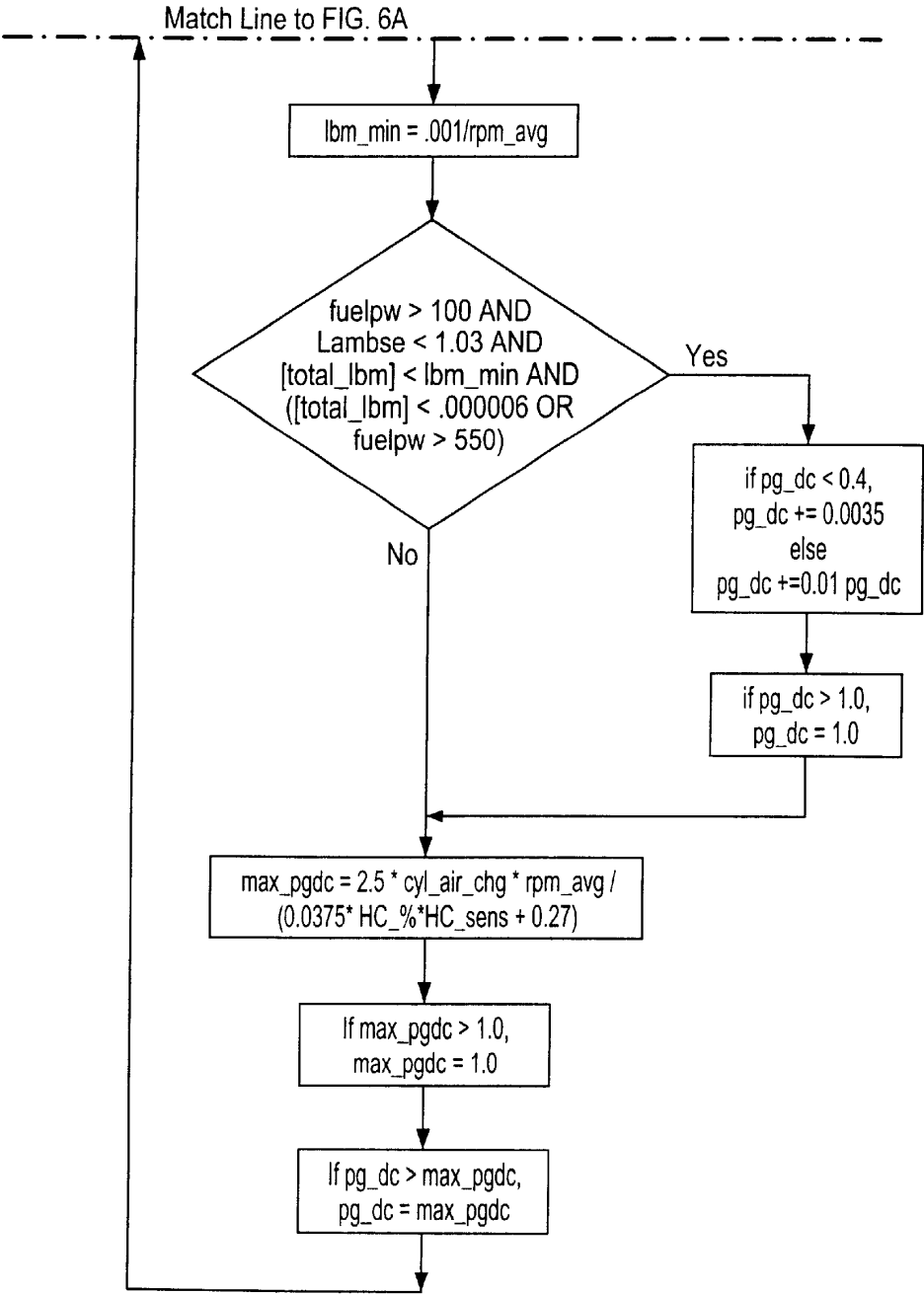


FIG. 6B

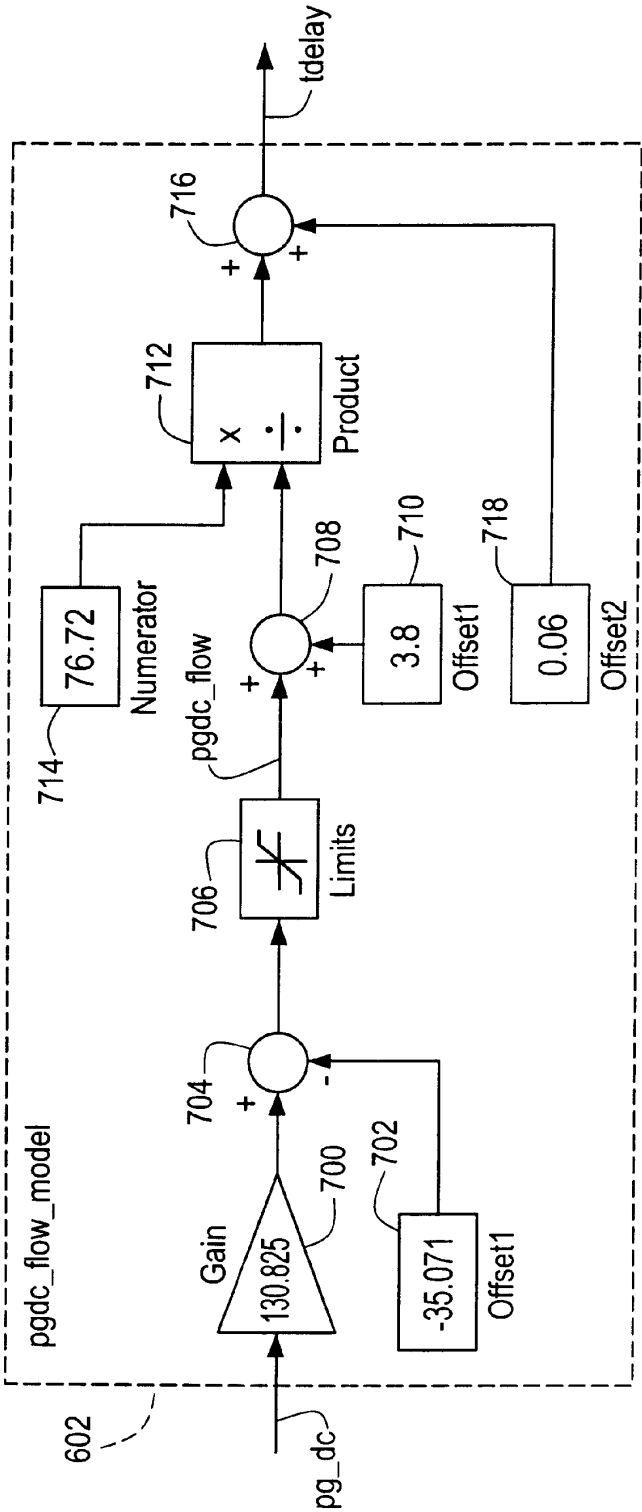


FIG. 7

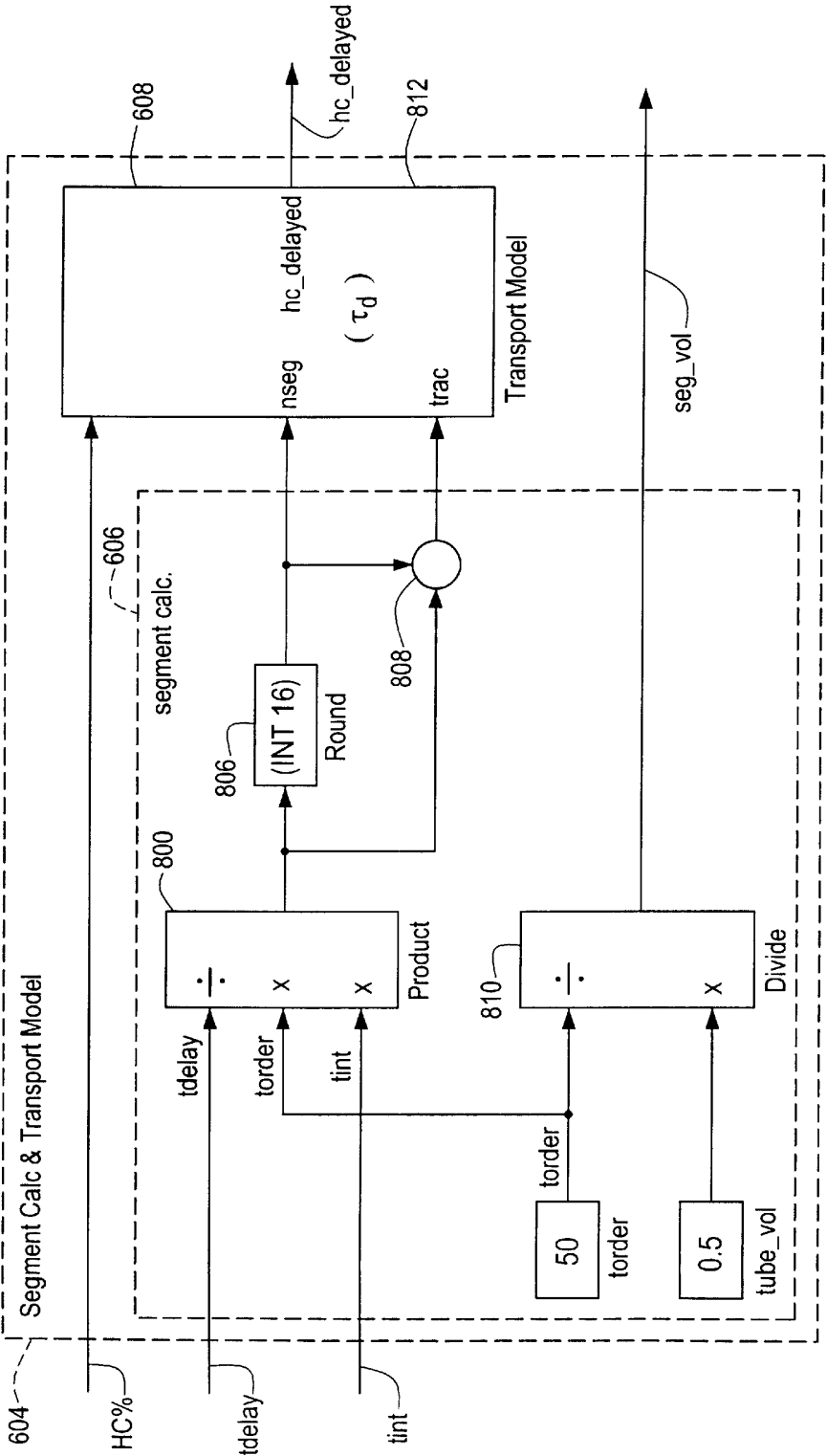


FIG. 8

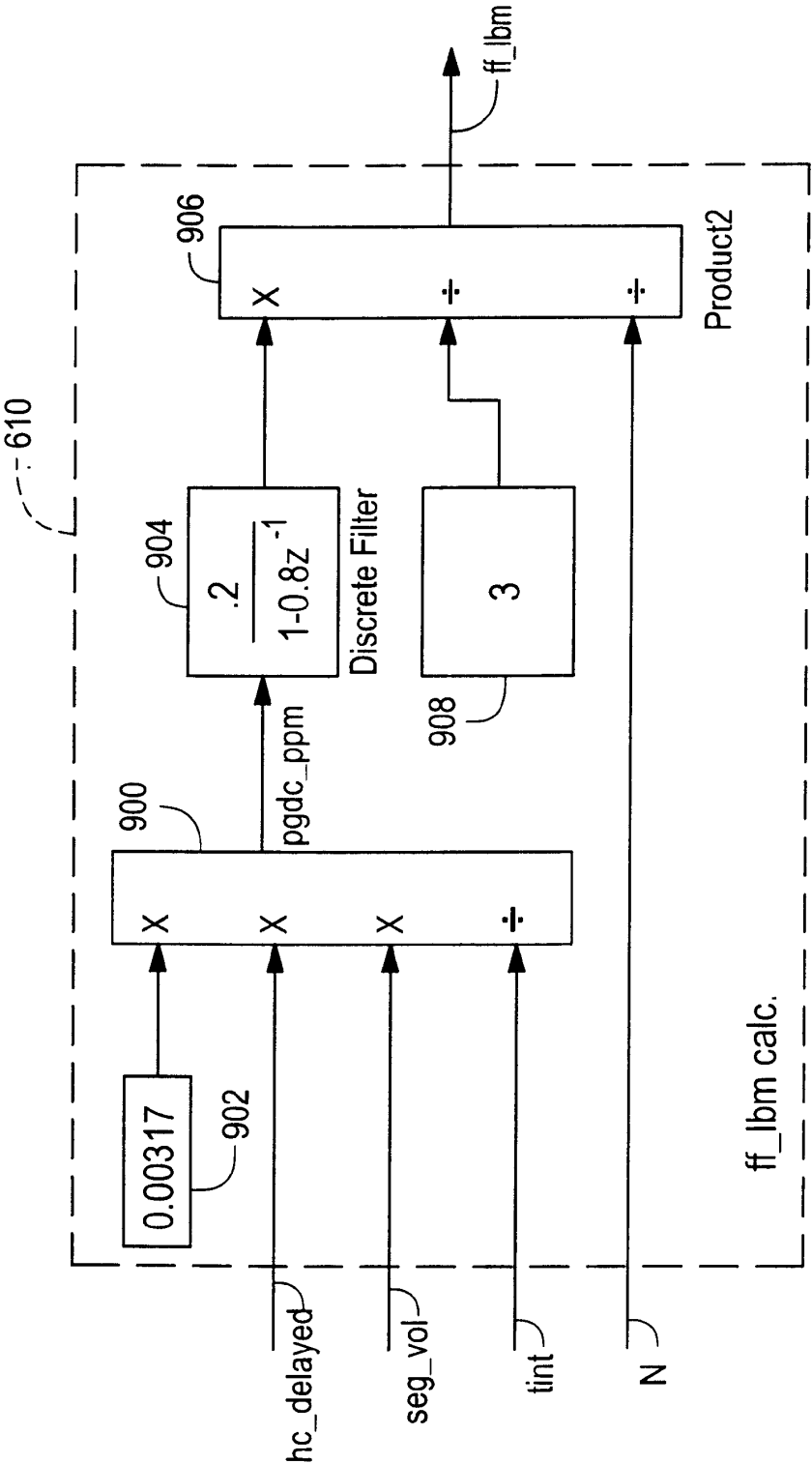


FIG. 9

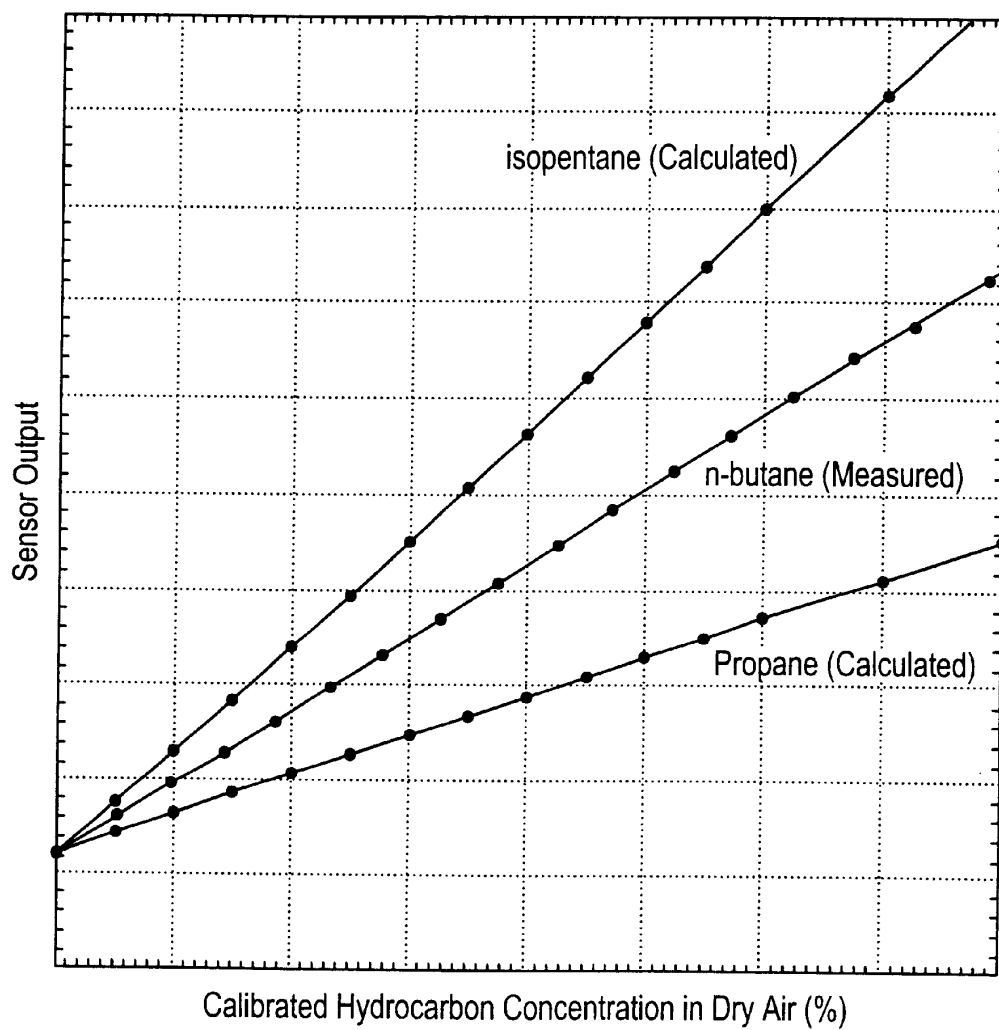


FIG. 10

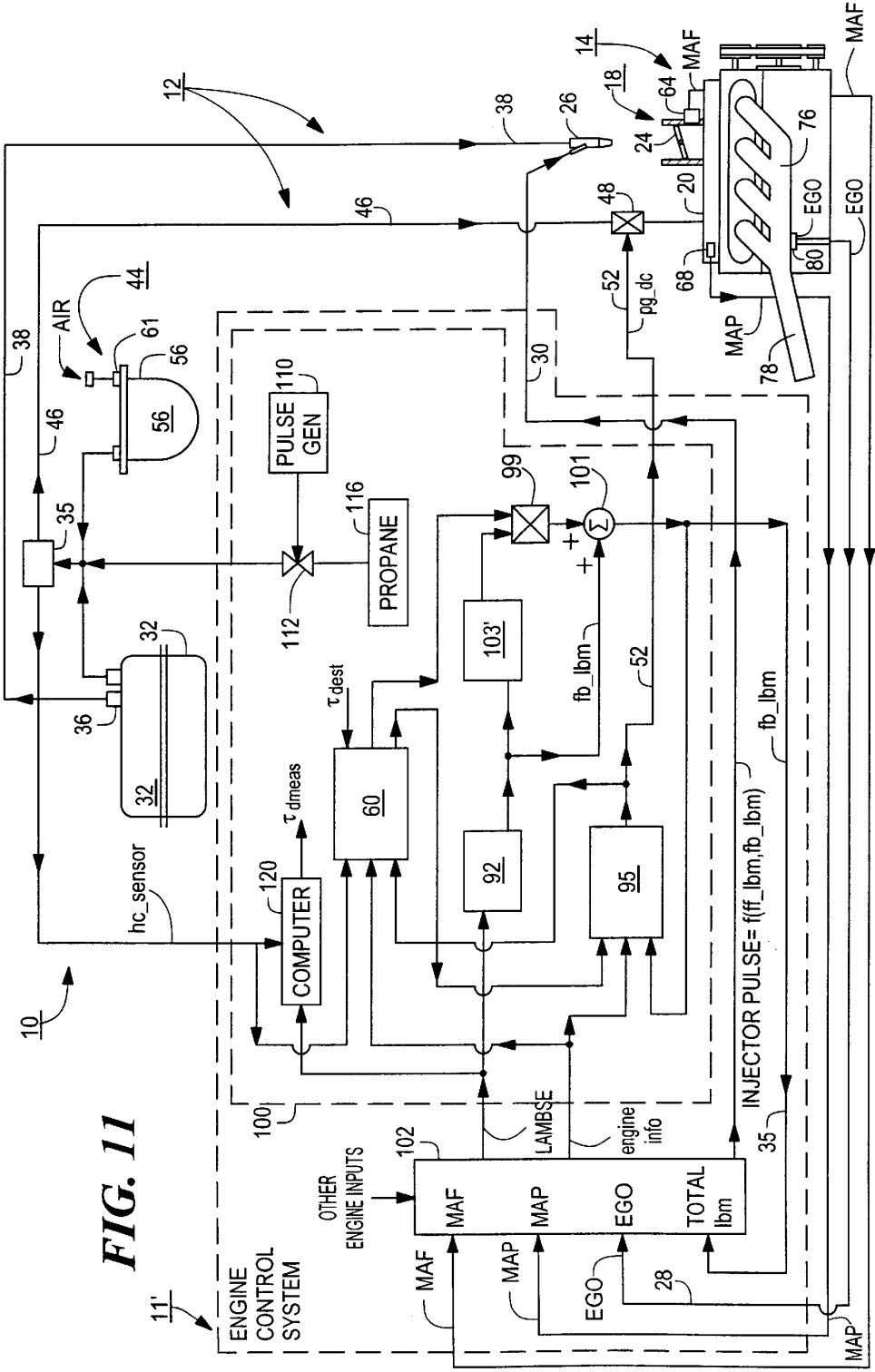


FIG. 11

1

**FEED FORWARD METHOD FOR CANISTER
PURGE COMPENSATION WITHIN ENGINE
AIR/FUEL RATIO CONTROL SYSTEMS
HAVING FUEL VAPOR RECOVERY**

TECHNICAL FIELD

This invention relates to generally to engine air/fuel ratio control systems, and more particularly to air/fuel ratio control systems wherein such engine recovers fuel vapors which are purged from the fuel system and are fed to the engine.

BACKGROUND AND SUMMARY

Engine air/fuel control systems are known in which fuel delivered to the engine is adjusted in response to the output of an exhaust gas oxygen sensor to maintain average air/fuel ratios at a stoichiometric value. Such systems may also include a fuel vapor recovery system wherein fuel vapors are purged from the fuel system into the engine's air/fuel intake. An example of such a system is disclosed in U.S. Pat. No. 5,048,493.

More particularly, current statutory regulations place a limit on the amount of fuel vapor that a passenger vehicle or light truck can emit while in operation or at rest. It is no longer acceptable merely to vent gasoline vapor to the atmosphere in order to relieve an accumulation of vapor due to high ambient temperature or heating of the fuel by proximity to sources of heat in the vehicle. The production of vapor can, in principle, be minimized by careful design, but cannot be entirely eliminated when certain conditions are present. Pressure build-up is reduced by storage of vapor on the surface of a material with high surface area, typically activated charcoal. In addition, to control the amount of vapor accumulated, modern automobiles carry out an operation called purge, in which vapor from the fuel tank and the storage canister is ingested into the engine, where it adds to fuel delivered by the usual fuel injection process. The purge process has the effect of adding both fuel and air to that supplied as part of the usual engine control strategy. In general, the delivered fuel and air are unmetered, because precise metering would entail both a flow meter and a sensor capable of measuring the fuel concentration in the purge flow. The addition of unmetered fuel and air complicates the control of the ratio of air to fuel (usually termed A/F), a quantity which must be closely regulated for minimum emissions. In extreme cases, excessive fuel from purge may cause the engine to stall. In the absence of a compensatory mechanism, the entire burden of handling the effects of purge is left to the usual closed-loop air/fuel (A/F) control strategy. In general terms, an excess of fuel due to purge will be handled by a reduction of injected liquid fuel; conversely, an excess of air (e.g., caused by a purge with minimal concentration of fuel) will be handled by an increase in the injected fuel. In neither case is the tendency of the added air flow to increase engine speed countered, nor is the effect of this flow on other parts of the strategy that depend on the knowledge of the mass flow of air taken into account. A further complication arises from the fact that some control strategies make diagnostic use of the value or pattern of values of the prime control variable in the A/F strategy. When the effect of purge is handled by the closed-loop control strategy, this control variable may spend considerable time at otherwise unusual values, thereby complicating diagnostic inferences.

To mitigate any deleterious effects of purge as just described, it is common to employ a purge compensation

2

strategy. Compensation for purge fuel is frequently implemented by subtracting a term from the calculation of fuel for each cylinder event. This term is intended to be an estimate of the fuel per event provided by the purge flow. The underlying principle is the following: if this term is correct, then the average value of the internal estimate of the A/F control variable will be equal to its nominal value. In typical control strategies the A/F control variable is called LAMBSE, and its nominal value is unity. More particularly, LAMBSE is at an average value of unity when engine is operating at stoichiometry and there are no steady-state air/fuel errors or offsets. For a typical example of operation, LAMBSE ranges from 0.75–1.25. In typical closed-loop control, the value of LAMBSE is driven in an oscillatory fashion on the basis of an exhaust gas oxygen (EGO) sensor. Hence, the value of the purge term in the fuel calculation is adjusted in a direction such that the mean value of LAMBSE tends toward unity. This is usually performed essentially as a simple integral controller, in which the difference between LAMBSE and unity is integrated (accumulated), multiplied by a chosen constant parameter, converted to units of fuel injected per event, and inserted (subtractively) into the fuel calculation. In this method of computing fuel compensation, the control variable LAMBSE is effectively treated as the output of a system for which the compensation value is the control input.

The inventors herein have discovered numerous problems with prior air/fuel-purge compensation control systems. More particularly, the inventors have recognized that with the above described method of computing fuel compensation, the control variable LAMBSE is effectively treated as the output of a system for which the compensation value is the control input. Considered from this viewpoint, the system contains a delay between the time of application of the control input and the time of consequence of this input as observed at the system output. As is usual when such a system is treated with simple integral control, the integral control coefficient must be chosen to be small enough to avoid instability. Such instability could manifest itself, for example, as oscillations of system input and output. The practical consequence is that the extra fuel that is present upon initiation of the purge operation is compensated only after a significant time has elapsed. The disruptive effect of this lag in compensation may be partially mitigated by opening the purge valve slowly rather than rapidly. Unfortunately, if this is done, the time required to purge the fuel stored in the canister increases. In some cases this may pose a difficulty, since other required aspects of engine control and diagnostics are best performed when purge is not in operation. Another disadvantage of the simple integral compensation method is that a correct estimate of the fuel content of the purge stream occurs, at best, only in steady state when the error in the mean value of LAMBSE has been reduced to zero. This is a direct consequence of not treating delays explicitly.

In accordance with the present invention, a method for air/fuel operation of an engine is provided. The engine is supplied fuel from both a fuel purging system to purge fuel in a fuel supply and feed such purged fuel to an intake manifold of the engine and a fuel injection system to inject fuel from such fuel supply into at least one cylinder of such engine. The method includes producing a first air/fuel ratio control signal in accordance with measured exhaust gas oxygen emission from the engine; producing a second air/fuel ratio control signal in accordance with measured fuel concentration and transport delay through the fuel purging system; combining the first and second air/fuel ratio control

3

signals into a composite control signal; and feeding such composite control signal to the fuel injection system.

In one embodiment, producing the second air/fuel ratio control signal comprises determining fuel flow rate through the purge system.

In one embodiment, the purge system includes a valve, such valve passing the fuel in the purging system to the intake manifold at a rate related to a duty cycle of a control signal fed to such valve and wherein the flow rate is determined in response to the duty cycle the control signal fed to the valve.

In one embodiment, the purge system includes a hydrocarbon sensor responsive to fuel in the purging system and wherein the second air/fuel ratio control signal is produced in accordance with an output of such sensor.

In one embodiment, the method includes determining a species of hydrocarbon in the fuel being purged and adjusting the second air/fuel ratio control signal in accordance with the determined species and its concentration.

In one embodiment, the species determination comprises determining from the exhaust gas oxygen a deviation of the engine emissions from stoichiometry.

The details of one or more embodiments of the invention are set forth in the accompanying drawings and the description below. Other features, objects, and advantages of the invention will be apparent from the description and drawings, and from the claims.

DESCRIPTION OF DRAWINGS

FIG. 1 is a block diagram an engine and air/fuel ratio control system therefor according to the invention;

FIG. 2 is a block diagram of a purge control valve system used in the air/fuel ratio control system of FIG. 1;

FIG. 3 is a block diagram of a transport delay, τ_d , compensation module used in the air/fuel ratio control system of FIG. 1;

FIG. 4 is a block diagram of a feedback compensation module used in the air/fuel ratio control system of FIG. 1;

FIG. 5 is a block diagram of an adaptive hydrocarbon (HC) sensitivity compensation module used in the air/fuel ratio control system of FIG. 1;

FIGS. 6, 6A–6B are a flow diagram of the process performed by a vapor management control valve module used in the air/fuel ratio control system of FIG. 1;

FIG. 7 is a block diagram of a purge duty cycle (pg_dc) flow model module used in the transport delay, τ_d , compensation module of FIG. 3;

FIG. 8 is a block diagram of a segment calculation and transport model module used in the transport delay, τ_d , compensation module of FIG. 3;

FIG. 9 is a block diagram of a feedforward signal, ff_l_{bm} , calculation module used in the transport delay, τ_d , compensation module of FIG. 3

FIG. 10 are curves showing the relation of the output of a hydrocarbon sensor used in the system of FIG. 1 as a function of hydrocarbon concentration for various hydrocarbon species; and

FIG. 11 is a block diagram of a test arrangement used to determine fuel transport delay in a vapor recovery system used for the engine of FIG. 1.

Like reference symbols in the various drawings indicate like elements.

DETAILED DESCRIPTION

Referring first to FIG. 1, an engine system 10 is shown to include an engine control system 11, a fuel system 12, and an engine 14.

4

The engine 14 has a throttle body 18 coupled to intake manifold 20. Throttle body 18 is shown having throttle plate 24 positioned therein for controlling the introduction of ambient air into intake manifold 20. Fuel injector 26 injects a predetermined amount of fuel into throttle body 18 via fuel rail 38 in response to fuel injector control signal (INJECTOR PULSE) on line 30 by the engine control system 11, in a manner to be described. The engine 14 is also supplied fuel from a fuel purging system 44 to purge fuel in a fuel supply 32 and feed such purged fuel to an intake manifold 20 of the engine 14 through a purge control valve 48. The purge control valve 48 is controlled by a control signal pg_dc produced on line 52 by the engine control system 11, in a manner to be described. Thus, the engine 14 is supplied fuel from both the fuel purging system 44 and a fuel injection system having the fuel injector 26.

Engine 14 also includes exhaust manifold 76 coupled to here a conventional 3-way (NO_x , CO, HC) catalytic converter 78. Exhaust gas oxygen (EGO) sensor 80, a conventional two-state-oxygen sensor in this example, is shown coupled to exhaust manifold 76 for providing an indication of air/fuel ratio operation of engine 14. More specifically, exhaust gas oxygen sensor 80 provides a signal having a high state when air/fuel ratio operation is on the rich side of a predetermined air/fuel ratio commonly referred to as stoichiometry (14.7 lbs. air/lb. fuel in this particular example). When engine air/fuel ratio operation is lean of stoichiometry, exhaust gas oxygen sensor 80 provides its output signal at a low state.

As described in greater detail later herein, the engine control system 11 includes a standard air/fuel ratio controller 102 and a purge control valve controller 100, to be described in more detail in connection with FIG. 2. The fuel injector control signal produced on line 30 by the standard air/fuel ratio controller 102 is a function of both: (1) a first air/fuel ratio, here feedback, signal, fb_l_{bm} , is produced on line 31 within the purge control valve controller 100 in accordance with measured exhaust gas oxygen emission from the engine 14 and sensed by an EGO sensor 80; and, (2) a second air/fuel ratio, feedforward, control signal, ff_l_{bm} , produced on line 33 within the purge control valve controller 100 in accordance with fuel concentration and transport delay, τ_d , through the fuel purging system 44. As will be described in more detail below, the feedforward signal ff_l_{bm} produced on line 33 is in turn a function of: the amount of vapor sensed by a hydrocarbon sensor 35; the control signal to the valve 48 on line 52; and, a model of the transport delay, τ_d , between the time the hydrocarbon sensor 35 detects a certain concentration of fuel being purged and the time such certain concentration of purged fuel is used by the engine 14. Suffice it to say here that the first and second air/fuel ratio control signals, fb_l_{bm} and ff_l_{bm} , are combined within the purge control valve controller 100 into a composite fuel injector pulse control signal, $total_l_{bm}$, on line 35. The composite purge fuel control signal on line 35 (having two components, i.e., the feedback portion, fb_l_{bm} , and the feedforward portion, ff_l_{bm}) is processed by the standard air/fuel ratio controller 102 in a conventional manner to produce the pulse for the fuel injector 26 on the (INJECTOR PULSE) line 30. Thus, the fuel injector pulse on line 30 is a function of both the feedback signal, fb_l_{bm} and the transport delay, τ_d , compensating feedforward signal, ff_l_{bm} .

More particularly, fuel is delivered to fuel injector 26 by a conventional fuel system including fuel tank 32, fuel pump 36, and fuel rail 38. The fuel vapor recovery system 44 is shown coupled between fuel tank 32 and intake manifold 20 via purge line 46 and purge control valve 48. In this

5

particular example, fuel vapor recovery system **44** includes vapor purge line **46** which is connected between fuel tank **32** and canister **56** which absorbs fuel vapors therefrom by activated charcoal contained within the canister. As noted briefly above, the purge control valve **48** is controlled by the signal, pg_dc , on line **52**. As will be described in more detail below, the control signal on line **52** is a function of the amount of vapor sensed by a hydrocarbon sensor **35** and the composite signal $total_lbm$ produced by the purge control valve controller on line **35**.

As noted briefly above, and as will be described in more detail below, the feedforward signal ff_lbm produced on line **33** is a function of: the amount of vapor sensed by a hydrocarbon sensor **35**; the control signal to the valve **48** on line **52**; and, a model of the transport delay, τ_d , between the time the hydrocarbon sensor **35** detects a certain concentration of fuel being purged and the time such certain concentration of purged fuel is used by the engine **14**. The transport delay, τ_d , is determined as a result of a test to be described in connection with FIG. **11**. The model of such transport delay, τ_d , is stored in the purge control valve controller **100**. The transport delay, τ_d , which not a constant but a function of flow, is determined a priori as a result of test performed on the engine system in a manner to be described below in connection with FIG. **11**. It should be noted that, in this particular example, valve **48** is a pulse width actuated solenoid valve. The flow through the valve **48** is a function of the duty cycle of the signal pg_dc signal produced on line **52** operating such valve **48**.

Referring now in more detail to the purge control valve controller **100**, such controller **100** is shown to include:

a transport delay, τ_d , compensation module **60**, to be described in more detail in connection with FIG. **3**;

a feedback loop compensation module **92**, to be described in more detail in connection with FIG. **4** and which produces the feedback signal, fb_lbm , on line **31** as a function of the amount of oxygen in the exhaust gases sensed by EGO sensor **80**;

an adaptive hydrocarbon (HC) sensitivity compensation module **103**, to be described in more detail in connection with FIG. **5**; and

a vapor management control valve module **95**, to be described in more detail in connection with FIG. **6**.

During fuel vapor purge, air is drawn through canister **56** via inlet vent **61** and adsorbs hydrocarbons from the activated charcoal. The mixture of purged air and absorbed vapors is then inducted into intake manifold **20** via purge control valve **48**. The control signal pg_dc on line **52** is a function of the amount of vapor sensed by the sensor **35** and the composite signal $total_lbm$ on line **35**. The pg_dc signal on line **52** for the valve **48** and the $total_lbm$ signal on line **35** are generated by a purge control valve controller **100** (shown in more detail in FIG. **2**) and a standard air/fuel ratio strategy controller **102**.

Conventional sensors are shown coupled to engine **14** for providing indications of engine operation. In this example, these sensors include mass airflow sensor **64** which provides a measurement of mass airflow (MAF) inducted into engine **14**. Manifold pressure sensor **68** provides a measurement (MAP) of absolute manifold pressure in intake manifold **20**. A temperature sensor, not shown, provides a measurement of engine operating temperature (T). Throttle angle sensor, not shown, provides throttle position signal TA. Engine speed sensor, not shown, provides a measurement of engine speed (rpm) and crank angle (CA).

The output of the exhaust gas oxygen (EGO) sensor **80** is fed, via line **28**, to the controller **102**. Also fed to the

6

controller **102** are MAP, MAF, and other engine inputs along with the $total_lbm$ signal on line **35**. The standard air/fuel ratio strategy controller **102** generates from these and other engine sensed operating parameters, the following engine information in any conventional manner,

$tint$ =the time, in seconds, since the last time the calculation was made;

N =engine speed, in revolutions per minute;

$fuel_pw$ =fuel pulse width, arbitrary units;

$olflag$ =open loop flag, i.e., indication that the conventional A/F controller is not using the EGO signal for feedback control;

cyl_air_charge =air charge, in pounds per minute, for each cylinder combustion event;

along with LAMBSE for the purge control valve controller **100** and the INJECTOR PULSE on line **30** for the fuel injector **26**.

Thus, as will be described in more detail below, the purge control valve controller **100** is used to compensate for transport delay, τ_d , described above. Such controller **100**, includes four sections:

1) The transport delay, τ_d , compensation module **60** (FIG. **3**) which produces the feedforward signal ff_lbm as a function of hydrocarbons sensed by sensor **35** (i.e., HC_sensor), the purge duty cycle signal pg_dc produced by the vapor management control valve module **95** on line **52**; and engine information.

2) The feedback compensation module **92** (FIG. **4**) for produces the feedback signal, fb_lbm . The signal fb_lbm is combined with the feedforward signal ff_lbm in algebraic summer **101**, to produce the composite control signal, $total_lbm$, on line **35**. As noted above, the control signal on line **30** for the fuel injector **26** is a function of the composite control signal, $total_lbm$. As also noted above, the signal fb_lbm on line **31** is the portion of the fuel injector signal on line **30** which would result in the fuel injector **26** injecting an amount of fuel in accordance with LAMBSE alone while ff_lbm is the portion of the signal on line **30** is used to anticipate, and hence compensate for, the transport delay, τ_d in the purge vapor in the purge system.

3) The adaptive hydrocarbon sensor sensitivity module **103** (FIG. **5**) which determines the sensitivity of the HC sensor **35**, such sensitivity being a function of LAMBSE error from stoichiometry; and

4) The vapor management control valve module **95** (FIG. **6**) which produces the purge duty cycle pg_dc for the control signal on line **52** for valve **48**.

The combination of these control elements of the purge control valve controller **100** provides the desirable steady-state behavior of integral control with the ability to respond quickly and appropriately to purge disturbances. In the present application, the primary time delay is fuel vapor transport delay, τ_d , which varies according to purge vapor line length and flow rate. Flow rate is not measured explicitly, but is estimated to be proportional to the purge duty cycle pg_dc of the signal fed to the valve **48** via line **52** after taking into account the threshold for opening the valve **48**. The feed forward control signal ff_lbm , is thus based on an estimate of the fuel content of the purge stream provided by the hydrocarbon sensor **35** and a model of the time delay, τ_d , for that concentration to reach the intake manifold **20** through the purge vapor line (passing from the sensor **35** through line **46** and being used by the engine **14**, i.e., its effect being detected later by the EGO sensor **80**).

The hydrocarbon sensor **35** here uses a speed-of-sound measurement that is proportional to hydrocarbon concentration, assuming a certain speciation of hydrocarbons. The uncertainty in speciation, as well as uncertainty in the proportional factor relating valve **48** duty cycle to flow rate, are both taken into account by adapting a multiplicative factor HC_sens produced by the hydrocarbon sensor sensitivity unit **103** according to LAMBSE error (i.e., deviation of average exhaust gas oxygen from stoichiometry).

Referring now in more detail to the various modules of the purge control valve controller **100**, reference is first made to the transport delay, τ_d , compensation module **60** shown in more detail in FIG. 3. The module **60** includes: an HC sensor fit module **600**, a pgdc_flow module **602** (shown in more detail in FIG. 7), a module **604** (shown in more detail in FIG. 8) having a segment calculation module **606** and a transport module **608**; and, a ff_lbm calculation module **610** (shown in more detail in FIG. 9).

Before discussing the HC sensor module it should be noted that the hydrocarbon sensor **35** is here of the type described in "Automotive Gasoline Vapor Sensor", J. H. Visser, D. J. Thompson, D. H. Schonberg, W. Lewis, Jr., P. Moilanen, W. O. Siegel, and E. M. Logothetis, Technical Digest of the 7th International Meeting on Chemical Sensors, pp. 446-448, 1998. It is installed in the line **46** (FIG. 1) just after the junction between the canister **56** and fuel tank **32**, (sufficiently before the valve **48** to give an adequate delay) and provides a reading proportional to the concentration of hydrocarbon gases in the flow at that point. Its response time is a fraction of a second and is able to be calibrated to any particular species of hydrocarbon. The proportionality does change from one hydrocarbon species to another, sometimes more than a factor of two (2.7 from propane to isopentane, for example, as shown in FIG. 10), and since there is opportunity for different species to 'distill' from the gas tank, the speciation of purge vapors may change with time. The heating value for different hydrocarbon species changes as well, which also affects the appropriate air-fuel ratio. In consequence, it is appropriate to use a multiplicative factor, HC_sens, in modeling the hydrocarbon sensitivity module **103** (FIG. 1) that is slowly adapted according to LAMBSE deviation from unity.

It is also noted that the signal on line **28** is related to LAMBSE. More particularly, by processing the signal on line **28** with proportional plus integral action in this particular example, such processed signal becomes LAMBSE (i.e., an average value of unity when engine **14** is operating at stoichiometry and there are no steady-state air/fuel errors or offsets). For a typical example of operation, LAMBSE ranges from 0.75-1.25. The signal LAMBSE is fed to a feedback loop compensation module **92** (FIG. 4) which produces the feedback control signal fb_lbm in a manner to be described in connection with FIG. 4. Suffice to again mention that the signal fb_lbm is a purge disturbance compensation feedback signal which is a function of the EGO sensor **80** output and would be used to compensate the fuel injected into the engine via the fuel injector **26** in systems without the feedforward signal ff_lbm.

Now referring again to the HC sensor fit module **600**, such module **600** stores a calibration, here a polynomial fit or mathematical curve obtained by testing the hydrocarbon sensor **35** (FIG. 1). The stored curve provides a transfer function between the voltage produced at the output of the sensor **35** (HC_sensor) and the percentage of hydrocarbons in the vapor sensed by the sensor **35** (HC %).

It is next noted that it is important to include the transport delay from sensor **35** to intake manifold **20** in order to

correctly model the feed forward response and compensate for transients. In theory, the delay should be equal to the volume of the purge line divided by the flow rate. In practice, data relating LAMBSE transients to step transitions at various flow rates is fit using a simple rational function in flow rate (pgdc_flow), to give the expected delay (tdelay). The flow rate is a function of the valve **48** duty cycle (pg_dc), usually modeled as linear with a threshold offset and obtained by fitting LAMBSE offset data to purge duty cycle.

Referring now to FIG. 7, the pgdc_flow module **602** takes the signal pg_dc produced on line **52** and produces the output expected tdelay using the arrangement of gain **700**, offset **702**, summer **704**, limiter **706** to produce an intermediate signal pgdc_flow, representing the flow of vapor through purge vapor control valve **48**. The signal pgdc_flow is then used to produce tdelay via a rational function fit to test data. Pgdc_flow is fed to a summer **708** along with an offset **710**. The output of summer **708** is fed to unit **712** that divides a numerator value **714** by the output of the summer **708**. The result is fed to a summer **716** along with an offset **718** to produce the time delay tdelay. It should first be noted that the gains, offsets and limits are determined by characterizing a particular valve to be used with the engine.

The signals tdelay and tint are fed to module **604**, shown in more detail in FIG. 8 to include a segment calculation module **606** and a transport delay module **608**. Modeling of the transport delay, τ_d , is here done in a subroutine, peristal2(), described below and here represented by module **608** (FIG. 8). The subroutine uses an Nth-order tapped delay line computational structure, each delay representing in effect a segment of the purge line **46** (FIG. 1). Module **606** (FIG. 8) translates tdelay in seconds into the equivalent number of modeled segments of line **46**, as follows: The time between application of compensation controls (background loop time (tint)) is determined and divided by tdelay, see module **800**. This ratio multiplied by the ratio between total line volume and divided by segment volume gives the number of modeled segments, nseg, see module **806**, (of the modeled purge line) to have delivered their hydrocarbon to the intake manifold. A number, (frac), handles interpolation of the fraction of the last segment delivered. Module **810** divides the total volume of purge line **46** (constant **804**) by the total number of segments modeled (constant **802**) and passes this value for the segment volume on to further calculations (module **900**). The total hydrocarbon mass delivered in this delay model HC_delayed (produced by module **812** (FIGS. 3 and 9) is fed to the ff_lbm calc. module **610** (shown in more detail in FIG. 9) and is subsequently converted to purge compensation variables to be used in the standard PCOMP routine shown in FIG. 9.

Thus, referring to FIG. 9, module **610** includes a constant **902** feeding calculator **900** along with hc_delayed (from module **604**, FIG. 8), seg_vol from a divider **810** fed by constants **803** and **804** in module **604**, FIG. 8), and engine information, tint, to produce pgdc_ppm. This is fed to a discrete filter **904** to smooth the effects of using a finite model in **608**. The output of the filter **904** along with engine rpm and a constant **908** are fed to a calculator **906** to produce the feedforwrd signal ff_lbm. This module thus converts a hydrocarbon concentration in the modeled portion of purge line **46** into first fuel mass flow, in pounds per minute (ppm), and then into fuel mass per injection, in pounds per event (lbm). Referring now to the feedback compensation module **92**, FIG. 4, such module provides an internal model control (IMC) arrangement. The IMC arrangement allows engine

time delay to be handled explicitly. In the present application, the engine time delay varies, with both random and systematic components of variation. Hence, it is advantageous that the IMC scheme is not overly dependent on precise knowledge of such delays.

It is first noted that a model of the engine, i.e., the relationship between fuel injected into the engine and average LAMBSE produced by the engine in response to such fuel is modeled by a linear model module 912 and transport delay module 916. The module 92 passes the measured LAMBSE provided by the controller 102 (FIG. 1) to a discrete state space filter 900 which is a low pass or lag filter to in effect provide an average value of LAMBSE. The output of this filter is indicated as y_p . This output y_p is compared with the engine modeled y_{md} in a difference unit 904 to produce a model error $y_{merr} = y_p - y_{md}$ where $y_{md} = \text{Delay}(y_m, D)$, where y_m , the undelayed model output $= 1 + G_m u$ and where D is the engine time delay referred to above (i.e., module 916). The difference, called y_{merr} , is subtracted from a reference LAMBSE, lambref , here 1.0, in subtractor unit 914 and the difference is processed by Rallying model 906 described in the Proceedings of the IEEE International Symposium on Industrial Electronics, Vol. pp. 109–114, June 1996 by J. Rivals and L. Personnaz, the entire subject matter thereof being incorporated herein by reference.

More particularly, the model error signal y_{merr} is subtracted from lambref to in a subtractor unit 914. The difference is fed as the r^* (r^*) input of the Rallying model 906. That is, $r^* = \text{lambref} - y_{merr}$. Also, the output, y_m of the linear portion of a linear model 912 is fed to the y_{mr} input of the Rallying model 906. The output of the Rallying model 906, $y_{ref} = \alpha r^* + \beta y_m$, where α and β are constants, and where $\alpha + \beta = 1$, is fed to an inverse of the linear model 912, here the inverse block 908, where:

the relationship between the output f_{comp} of the inverse model 908 and the input y_{ref} to the inverse model is given by:

$$f_{comp} = \frac{1}{G_m}(y_{ref} - 1),$$

and the relationship between the output y_m of the linear model 912 and the input u of the linear model is given by:

$$y_m = 1 + G_m u, \text{ the relation where } G_m \text{ is the gain of the model 912}$$

where u is f_{comp} after a one sample delay provided by delay 910. It is noted that u is fed to an inverter 911 to produce fb_l_{bm} on line 31. As noted above, the output from delay 910, u , is also fed to the linear model 912, the output of which is also fed to a delay 916 prior to being fed to the differencing network 904, as shown. Modules 912 and 916 thus constitute a simple model of the fuel-to-LAMBSE process of the engine. The output of this model, y_{pd} is compared to the actual average value of LAMBSE from the engine, y_p , and the difference, y_{merr} , is fed back into the inverse module 908 in what amounts to an integral controller.

Referring now to FIG. 5, the adaptive HC sensitivity module 103 is shown. Such module 103 includes a discrete filter, dead zone, gain, saturation, and discrete time integrator, arranged, as shown, to produce the HC_sens signal for the multiplier 99 (FIG. 1). This module constitutes an integral controller, based on the control error as represented by fb_l_{bm} . It assumes that the error is due either to incorrect sensitivity of the HC sensor or error in the pg_dc

to purge flow calibration. It adjusts (via integrating the error) a value, HC_sens , which multiplies the feedforward portion of the control. Suitable non-linearities in the form of a deadzone in error and a value limitation are imposed for stability.

A flow diagram of the program used by the vapor management control valve module 95 (FIG. 1) is shown in FIG. 6. The effect of this module is to ramp open the purge valve at different rates when conditions are appropriate, to shut it off under other conditions, and to limit its opening when sufficient hydrocarbon concentration is present so that the fuel pulse width does not get so small that accuracy or ability to handle transients is adversely affected.

Excerpts from the C code used for the routines in the pg_dc module 602 (FIG. 7), the segment calculation and transport delay module 604 (FIG. 8) and the $pgdc_l_{bm}$ module 610 follow (it being understood that the gains, offset and limits, etc. were for a particular valve):

The following code is performed in the transport delay, τ_{ds} , module 60 (FIG. 3):

```

/***** pgdc_flow and total_lbm calculations: *****/
/* simple linear fit from pg_dc to lambse offset: */
pgdc_flow = 130.825 * pg_dc - 35.071 ; /* 1 per min.*/
if (pg_dc < .27) pgdc_flow = 0.0 ;
/* delay from rational fn. fit to observed data: */
tdelay = 0.06 + 76.72 / (pgdc_flow + 3.8) ; /*seconds */
if (tdelay < 0.3) tdelay = 0.3 ;
tmp_rpm = engine_rpm ;
if (tmp_rpm < 450.) tmp_rpm = 450.;
tint = 60.0 * fcount / (no_cyls * tmp_rpm) ; /* interval */
if (tint < 0.01) tint = 0.01 ; /* since last */
segments += tube_vol / seg_vol * tint / tdelay ;
nseg = (int) segments ;
segments -= nseg ; /* carry over for next time */
frac = segments

```

The code for the transport module 812 (and 608), and the ff_l_{bm} calculation module 610 (FIG. 9), is as follows:

```

hc_delayed = peristal2 (Y[2],frac,nseg, tot_segs, 0);
/* lb. per min. */
pgdc_ppm = 0.003171806 * hc_delayed * seg_vol / tint ;
last_ff_lbm = ff_lbm;
pgdcfppm = 0.8 * pgdcfppm + 0.2 * pgdcppm ; /* 0.2s filter */
pgdc_lbm = pgdcfppm / (3.0*tmp_rpm); /* lb. per inj. */

```

The multiplier 99 is fed HC_sens from the adaptive HC sensitivity compensation module 103 (FIG. 1) along with the ff_l_{bm} signal produced by the transport delay module 60 (FIG. 1) as follows:

```

ff_lbm = HC_sens * pgdc_lbm ;

```

The output of the multiplier 99 ($pgdc_l_{bm}$) is algebraically summed with fb_l_{bm} from the feedback loop module 92 in summer 101 (FIG. 1) to produce $total_l_{bm}$, as follows:

```

total_lbm = fb_lbm + ff_lbm ;

```

The code performed by the transport module 812 (FIG. 8) follows:

```

float peristal2 (input, fraction, numb, max_delay, init_flag)
double input, fraction ;
int numb, max_delay, init_flag ;
{
    /* models a variable time delay system:          */
    /* input feeds the delay line of max_delay segments. Each time */
    /* called, num no. of segments are accumulated as output.      */
    /* A fraction of the next segment is also accumulated, and its  */
    /* value is decremented for the next time.                    */
    int j, k ;
    static int first_time = 1 ;
    static float * tdl_in ;
    static float frac, s_out ;
    /* Initialization: */
    if (first_time) {
        tdl_in = (float *) calloc ((int) (max_delay+1),sizeof(float)) ;
        for (j=0; j <= max_delay ; j++) {
            tdl_in[j] = 0.0 ;
        }
        s_out = 0.0 ;
        first_time = 0 ;
    }
    if (init_flag) {
        for (j=0; j <= max_delay ; j++) {
            tdl_in[j] = input ;
        }
    }
    /* Input delay line */
    s_out = 0.0 ;
    if (numb >= 1) {
        for (k=1; k <= numb ; k++) {
            /* cycle numb times:          */
            /* accum. what's output       */
            /* cycle the delay line      */
            s_out += tdl_in[0] ;
            for (j=1; j <= max_delay ; j++) {
                tdl_in[j-1] = tdl_in[j] ;
            }
            tdl_in[max_delay] = input ;
            /* feed input          */
        }
        frac = fraction * tdl_in[0] ;
        /* add in a fraction more      */
        /* remove what was taken     */
        /* return accum. output      */
        s_out += frac ;
        tdl_in[0] -= frac ;
        return (s_out) ;
    }
}

```

The following code is performed by the adaptive hydro-carbon sensitivity module **103** (FIG. 5):

```

/* adapt HC_sens: adjust HC_sens every
50 background loops */
if (updcnt==50) {
    if (avgfcomp>.0000005) {
        HC_sens += .05;
    } else if (avgfcomp<-.0000005) {
        HC_sens -= .05;
    }
    updcnt = 0;
} else {
    updcnt += 1;
}
if (HC_sens>3.) {
    HC_sens = 3.;
} else if (HC_sens<.5) {
    HC_sens = .5;
}

```

The sum of the feed back and adapted feed forward terms, total_lbm, estimating the total effect of the purge hydrocarbons in pounds of (equivalent) fuel per injection is processed by conventional calculations to produce the fuel injector **26** composite control signal on line **30**. The combination of internal model feedback control, fb_lbm, with feed forward compensation, ff_lbm, based on a HC sensor **35** signal on line **34** results in reduced A/F disturbance for a given pattern

of canister purge, compared to the prior method of integral feedback. Alternatively, more aggressive purging may be programmed and still maintain A/F deviations within acceptable limits. Transient conditions are handled by this approach with much less deviation of the control variables.

Referring now to FIG. 11, a test arrangement is described for determining the transport delay, τ_d . It is first noted that the transport delay, τ_d , is a function of the flow rate through the valve **48**. Further, the flow rate through the valve **48** is a function of the duty cycle of the signal on line **52** (FIG. 1), i.e., pgdc_flow. Here, from the program above, in this example, pgdc_flow=130.825 * pg_dc-35.071 and if pg_dc<2.68, then pgdc_flow is 0.0.

To measure τ_d as a function of pgdc_flow, with the engine **14** operating with the feedback signal fb_lbm produced by the engine control system **11**, an estimate is made of the delay, i.e., τ_{dest} for module **60**. With the valve **48** operating at a particular pgdc_flow selected by module **95** and with the HC sensitivity comp **103** (FIG.1) here represented as **103** **40** providing a suitable constant for the particular gas being sensed, here propane, a pulse generator **110** sends a pulse to open a valve **112**. Fed to the valve **112** is a high concentration of a hydrocarbon (HC), here propane for example, from a propane source **116**. The step change in propane is fed to the fuel line upstream of the hydrocarbon sensor **35**. In response to the step change in propane, both the output of the hydrocarbon sensor **35** and the EGO sensor **80** output signal on line **28** will change significantly, albeit

13

with a time delay between them, such time delay being the transport delay, τ_{actual} . The LAMBSE error will correspondingly experience a step change. The output of the hydrocarbon sensor 35 and the LAMBSE error signal produced by the module 102 are fed to a computer 120. It is noted that during the testing process, the difference between τ_{dest} and τ_{actual} (i.e., the time delay measured by the computer 120) is used to adjust the estimated delay τ_{dest} and the process is repeated until τ_{dest} is equal to τ_{actual} . Thus, for each selected $pgdc_flow$, the transport delay time, τ_d , is measured between the time the hydrocarbon sensor 35 detects the pulse of propane and the time there is a step in LAMBSE error (i.e., the time there is a step change in the output of the EGO sensor 80).

Having determined the relationship between the transport delay time, τ_d , and flow rate through the valve 48 (i.e., $pgdc_flow$), a lookup table or functional fit equation may be used to store such relationship in the transport model 608 (FIG. 3). Here, as noted from the program above, in this example, t_{delay} , (i.e., the transport delay time, τ_d)= $0.06 + 76.72/(pgdc_flow + 3.8)$ with a minimum of t_{delay} of 0.3.

It is noted that preferably the valve 48 is placed close to the intake manifold 20 in order to shut the flow in the event that a relatively large amount of fuel is being purged.

A number of embodiments of the invention have been described. Nevertheless, it will be understood that various modifications may be made without departing from the spirit and scope of the invention. Accordingly, other embodiments are within the scope of the following claims.

What is claimed is:

1. A method for controlling an air/fuel ratio of an engine, such engine being supplied fuel from both a fuel purging system to purge fuel in a fuel supply and feed such purged fuel to an intake manifold of the engine and a fuel injection system to inject fuel from such fuel supply into a cylinder of such engine, such method, comprising:

- producing a feedback air/fuel ratio control signal in accordance with measured exhaust gas oxygen emission from the engine;
- producing a feedforward air/fuel ratio control signal in accordance with anticipated fuel through the purging system;
- combining the feedback and the feedforward signals into a composite control signal; and
- feeding such composite control signal to the fuel injection system.

2. The method recited in claim 1 wherein the producing the feedforward air/fuel ratio control signal comprises determining fuel flow rate through the purge system.

3. The method recited in claim 2 wherein the purge system includes a hydrocarbon sensor responsive to fuel in the purging system and wherein the feedforward air/fuel ratio control signal is produced in accordance with an output of such sensor.

4. The method recited in claim 3 including determining a species of hydrocarbon in the fuel being purged and adjusting the feedforward air/fuel ratio control signal in accordance with the determined species.

5. The method recited in claim 4 wherein the purge system includes a valve, such valve passing the fuel in the purging system to the intake manifold at a rate related to a duty cycle of a control signal fed to such valve and wherein the flow rate is determined in response to the duty cycle the control signal fed to the valve.

14

6. A method for controlling air/fuel ratio of an engine, such engine being supplied fuel from both a fuel purging system to purge fuel in a fuel supply and feed such purged fuel to an intake manifold of the engine and a fuel injection system to inject fuel from such fuel supply into a cylinder of such engine, such method, comprising:

- producing a feedback air/fuel ratio control signal in accordance with measured exhaust gas oxygen emission from the engine;
- producing a feedforward air/fuel ratio control signal in accordance a hydrocarbon sensed by a hydrocarbon sensor in the purge system;
- combining the feedback and the feedforward signals into a composite control signal; and
- feeding such composite control signal to the fuel injection system.

7. The method recited in claim 6 including determining a species of hydrocarbon in the fuel being purged and adjusting the feedforward air/fuel ratio control signal in accordance with the determined species.

8. The method recited in claim 7 wherein the species determination comprises determining from the exhaust gas oxygen a deviation of the engine emissions from stoichiometry.

9. A method for controlling air/fuel ratio of an engine, such engine being supplied fuel from both a fuel purging system to purge fuel in a fuel supply and feed such purged fuel to an intake manifold of the engine and a fuel injection system to inject fuel from such fuel supply into a cylinder of such engine, such method, comprising:

- producing a first air/fuel ratio control signal in accordance with measured exhaust gas oxygen emission from the engine;
- producing a second air/fuel ratio control signal in accordance with fuel transport delay through the fuel purging system;
- combining the first and second air/fuel ratio control signals into a composite control signal; and
- feeding such composite control signal to the fuel injection system.

10. The method recited in claim 9 wherein the producing the second air/fuel ratio control signal comprises determining fuel flow rate through the purge system.

11. The method recited in claim 10 wherein the purge system includes a valve, such valve passing the fuel in the purging system to the intake manifold at a rate relate to a duty cycle of a control signal fed to such valve and wherein the fuel flow rate is determined in response to the duty cycle the control signal fed to the valve.

12. The method recited in claim 10 wherein the purge system includes a hydrocarbon sensor responsive to fuel in the purging system and wherein the second air/fuel ratio control signal is produced in accordance with an output of such sensor.

13. The method recited in claim 11 including determining a species of hydrocarbon in the fuel being purged and adjusting the second air/fuel ratio control signal in accordance with the determined species.

14. The method recited in claim 13 wherein the species determination comprises determining from the exhaust gas oxygen a deviation of the engine emissions from stoichiometry.