

# Temperature Sensor NTC M12

Temperature range: -30 ... 130°C

A shockproof sensor for measurements under pressure up to 25 bar. Good thermal conductivity allows fast response temperature measurement. The integrated connector provides a low-cost connection for automotive applications.



General fields of application: oil-, fuel-, water temperature measurement.

## Mechanical data

Thread	M12 x 1,5
Tightening torque	25 Nm
Wrench size	19 mm
Weight	30 g

## Electronic data

Nominal resistance	2,5 k $\Omega$ /20°C
Measuring range	-30 ... 130°C
Accuracy	$\pm$ 1,5 K
Response time 90 %	< 10 s

## Conditions for use

Temperature range	-30 ... 130°C
Vibration	60 g/5 ... 250 Hz

## Connector

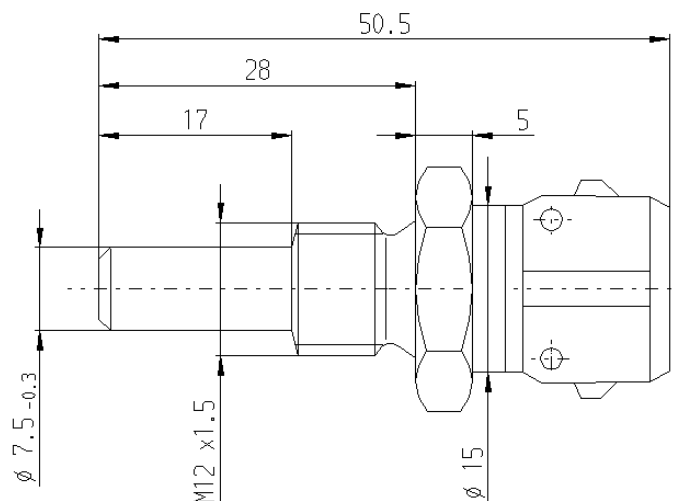
Cable harness connector	1 284 485 198
-------------------------	---------------

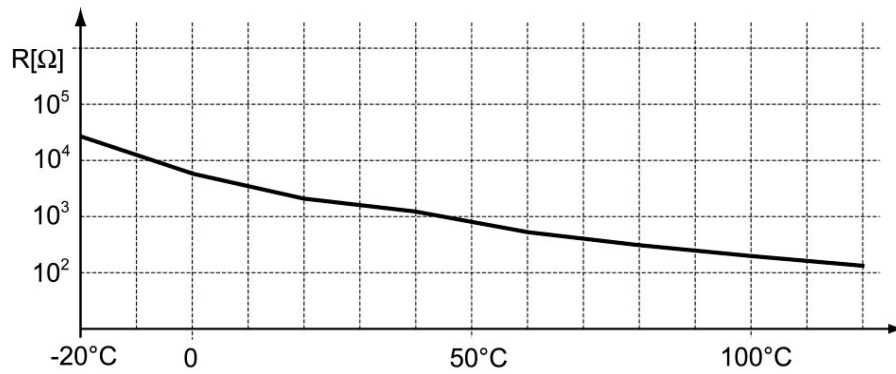
## Characteristic

NTC 2,5 k $\Omega$

## Order numbers

1 284 485 198	<b>O 280 130 026</b>
KPSE 6E8-33P-DN	<b>B 261 209 160</b>
Offer drawing	<b>A 261 209 160</b>





$^{\circ}\text{C}$	$R(\Omega)$
-40	45 313
-35	34 281
-30	26 114
-25	20 003
-20	15 462
-15	12 002
-10	9 397
-5	7 415
0	5 896
5	4 712
10	3 792
15	3 069
20	2 500
25	2 057
30	1 707
35	1 412
40	1 175
45	987,6
50	833,9
55	702,8
60	595,5

$^{\circ}\text{C}$	$R(\Omega)$
65	508,3
70	435,7
75	374,2
80	322,5
85	279,6
90	243,2
95	212,7
100	186,6
105	163,8
110	144,2
115	127,3
120	112,7
125	100,2
130	89,30
135	79,65
140	71,20
145	63,86
150	57,41
155	51,82
160	46,88